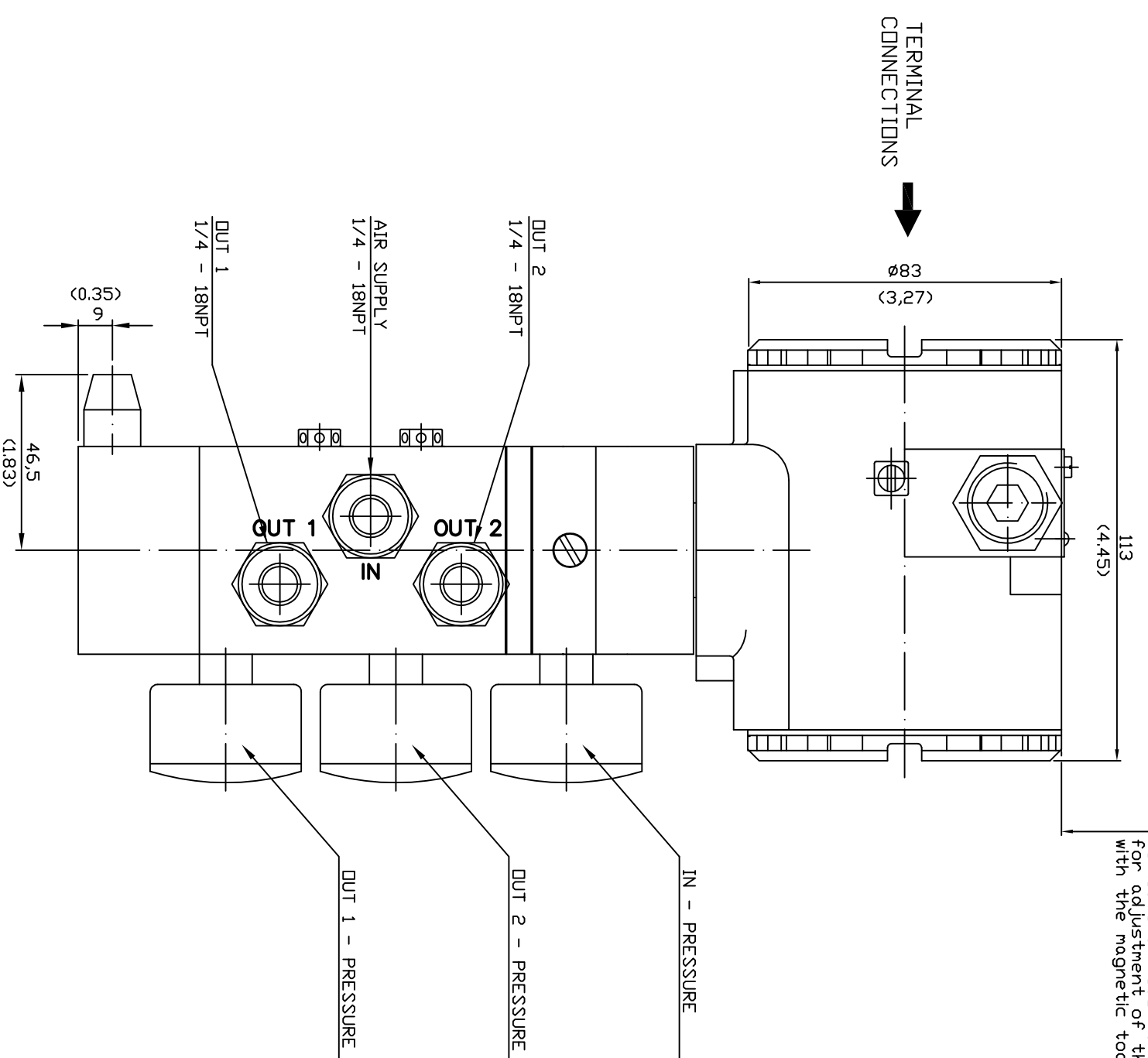
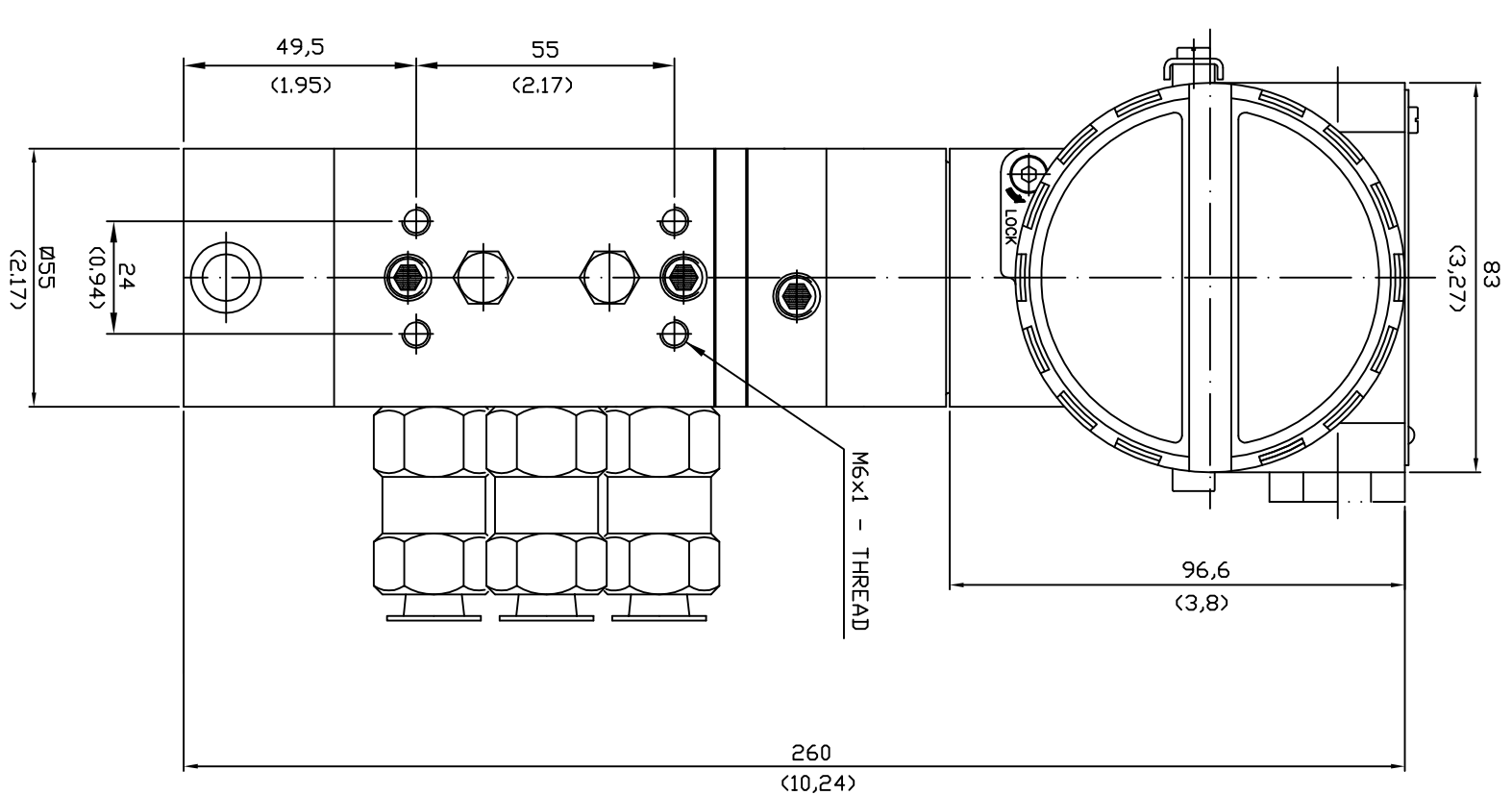


A B C D E F G H I J K L

To leave at least a space of 150mm for adjustment of the zero and spzn with the magnetic tool



ELECTRICAL CONNECTION



Note: Dimensions are mm (in)

DESENHO	PROJETO	VERIFIC.	APROVAÇÃO	Smear DESENHO N° 101-B-5512-00 ESC 1:1,5 FL /
ALEXANDRE	ALEXANDRE	TERCID	BAHIA	
06 / 10 / 2006	06 / 10 / 2006	10 / 10 / 2006	10 / 10 / 2006	
CLIENTE	EQUIPAMENTO	DIMENSIONAL DRAWING FOR INTERNET POSITIONNER FY30X		
REV	PROJETO	APROVAÇÃO	AREA	